

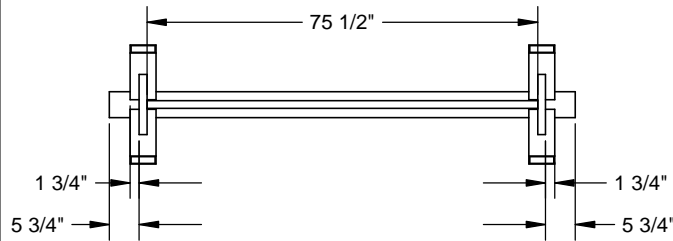
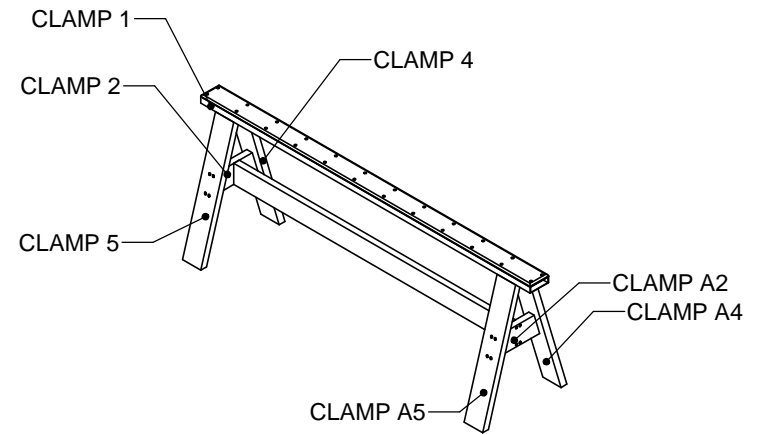
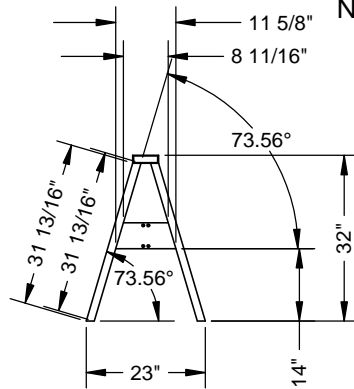
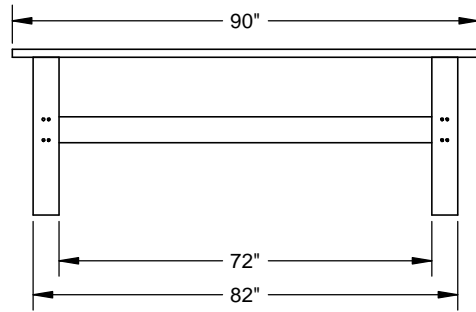
4

3

2

1

NOTE: FINISH HEIGHT FROM GROUND TO TOP OF PLASTIC IS 32 1/2"



SAFE WORKING LOAD RATING (PER SAW HORSE):
 - MAX CONCENTRATED LOAD AT MID-SPAN OF TOP RAIL - 675 lbs
 - MAX UNIFORMLY DISTRIBUTED LOAD ACROSS TOP RAIL - 225 lbs/ft

ITEM NO.	QTY.	LENGTH	HEIGHT	DESCRIPTION	MATERIAL
1	1	90"	32"	SAW HORSE	
2	1	90"	5"	TOP PLATE	1/2" BLUE HDPE

UNLESS OTHERWISE SPECIFIED DO NOT SCALE DRAWING INTERPRET DIMENSIONS AND TOLERANCES PER ASME Y14.5M-1994 DIMENSIONS ARE IN INCHES TOLERANCES APPLY AS SHOWN BELOW $\pm 1/16$ INCH ± 1.0 DEGREE UNLESS OTHERWISE NOTED	SolidWorks MAINTAINED DATA CHANGES SHALL BE INCORPORATED ELECTRONICALLY BY THE DESIGN ACTIVITY		685 Rupert St. Waterloo, Ontario Canada N2V 1N7 TEL: (519) 747-1856 (877) 776-5311 FAX: (519) 747-3659 info@sporsystems.com www.sporsystems.com		
	PROPRIETARY NO PART OF THIS DOCUMENT MAY BE REPRODUCED STORED IN A RETRIEVAL SYSTEM OR TRANSMITTED IN ANY FORM WITHOUT THE WRITTEN PERMISSION OF SPORT SYSTEMS UNLIMITED.		SAW HORSE		TITLE
THIRD ANGLE PROJECTION 	DRAWN BY CHENHOEFFER CHECKED BY APPROVED	DATE Jul 18, 2007 DATE	SIZE B	DRAWING NO 2008007-P004	REV -
		SCALE 1:24	MASS 111.936 lbs	SHEET 1 OF 1	

4

3

2

1

D

D

C

C

B

B

A

A